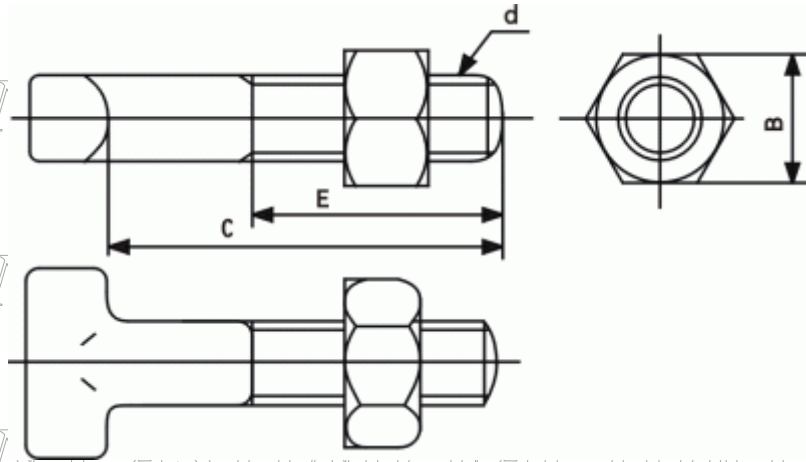




Type A Bolt and Nut



Unit: mm

Nominal size	Bolt Nom.	Dimensions			Bolt No. Per Set
		d	C	E	
75	M16	85	55	24	4
100	M20	90	60	30	4
150	M20	90	60	30	6
200	M20	90	60	30	6
250	M20	90	60	30	8
300	M20	100	65	30	8
350	M20	100	65	30	10